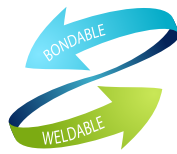


# BIJOU™ Nickel Free Tubes



Nickel FREE biocompatible material - perfect for your nickel sensitive patients.



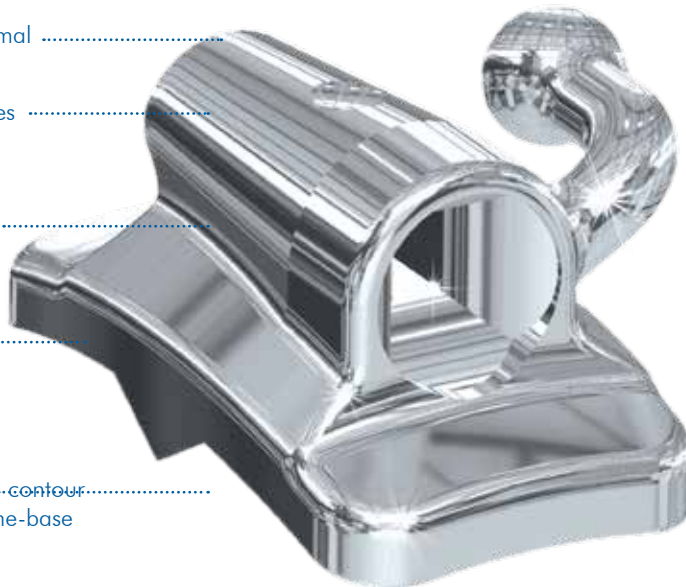
Comfort hook for optimal patient comfort

Smooth, rounded edges for patient comfort

Lead-in archwire slot for easy wire insertion

One piece design for optimum pad-to-tooth fit and bond strength

Compound contour torque-in-the-base



SINGLE



DOUBLE



TRIPLE



### Bondable & Weldable in one buccal tube

You no longer need to stock both bondable and weldable tubes, this uniquely designed buccal tube base permits you to use this bracket whichever way you choose.



## Non-convertible

All our NICKEL FREE brackets and buccal tubes have been designed to work in a combined effort to accomplish optimal class I molar relationship.



Single



Double



Triple



Lip Bumper

## Mini Non-convertible tubes



Mini Upper



Mini Lower

### SYSTEM INFORMATION

Mesial/Distal Dimension:  
**NON-CONVERTIBLE** Single: 3.175mm, Double & Triple 3.71 mm  
**CONVERTIBLE** Single: 3.45mm, Double & Triple 3.5mm  
**MINI** 2.41mm

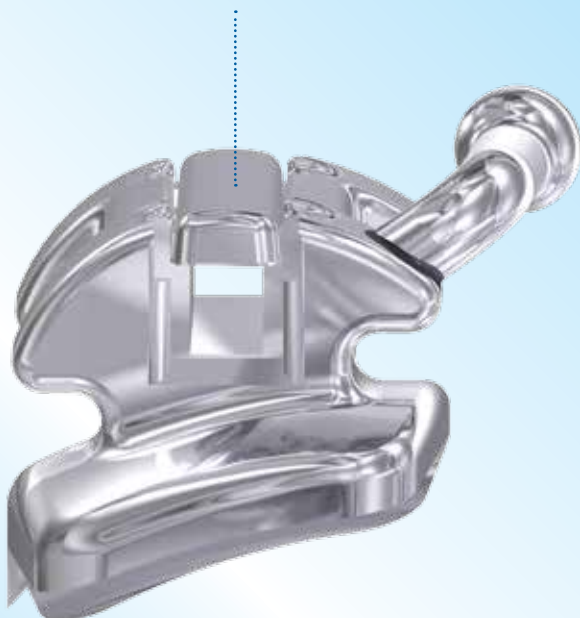
Auxiliary Slot Dimensions:  
**NON-CONVERTIBLE** .018 Main slots have an .018x.031 auxiliary  
**NON-CONVERTIBLE** .022 main slots have an .022x.031 auxiliary  
**CONVERTIBLE** .018 Main slots have an .018x.027 auxiliary  
**CONVERTIBLE** .022 Main slots have an .022x.031 auxiliary

All tubes have integral mesio-gingival hooks unless otherwise noted.

## Convertible buccal tubes

### EASYCAP - reducing unintentional debonding

**Precision mounted easy to remove convertible cap**  
**EASYCAP provides the most consistent force possible for easy and reliable removal.**



Single Upper



Double Upper



Facebow Upper



Triple Upper



Single Lower



Double Lower

# NICKEL FREE non-convertible prescriptions and order info



## NICKEL FREE NON-CONVERTIBLE UPPER BUCCAL TUBES .022 & .018

Tooth	Torque	Offset	HDG	Right .022	Left .022	Right .018	Left .018
Single ROTH*	-10°	+8°	No	NFNC-UR-22-718	NFNC-UL-22-718	NFNC-UR-18-718	NFNC-UL-18-718
Single	0°	+8°	No	NFNC-UR-22-708	NFNC-UL-22-708	NFNC-UR-18-708	NFNC-UL-18-708
Single MBT*	-14°	+8°	No	NFNC-UR-22-714	NFNC-UL-22-714	NFNC-UR-18-714	NFNC-UL-18-714
Double - HDG	0°	0°	.045	NFNC-UR-22-701	NFNC-UL-22-701	NFNC-UR-18-701	NFNC-UL-18-701
Double	0°	+9°	No	NFNC-UR-22-709	NFNC-UL-22-709	NFNC-UR-18-709	NFNC-UL-18-709
Double - HDG	0°	+9°	.045	NFNC-UR-22-709HG	NFNC-UL-22-709HG	NFNC-UR-18-709HG	NFNC-UL-18-709HG
Double -	-10°	0°	No	NFNC-UR-22-711	NFNC-UL-22-711	NFNC-UR-18-711	NFNC-UL-18-711
Double - HDG	-10°	0°	.045	NFNC-UR-22-711HG	NFNC-UL-22-711HG	NFNC-UR-18-711HG	NFNC-UL-18-711HG
Double ROTH*	-10°	+9°	No	NFNC-UR-22-719	NFNC-UL-22-719	NFNC-UR-18-719	NFNC-UL-18-719
Double - HDG - ROTH*	-10°	+9°	.045	NFNC-UR-22-719HG	NFNC-UL-22-719HG	NFNC-UR-18-719HG	NFNC-UL-18-719HG
Double - MBT*	-14°	+9°	No	NFNC-UR-22-715	NFNC-UL-22-715	NFNC-UR-18-715	NFNC-UL-18-715
Double - HDG - MBT*	-14°	+9°	.045	NFNC-UR-22-715HG	NFNC-UL-22-715HG	NFNC-UR-18-715HG	NFNC-UL-18-715HG
Double	-14°	+14°	No	NFNC-UR-22-716	NFNC-UL-22-716	NFNC-UR-18-716	NFNC-UL-18-716
Double - HDG	-14°	+14°	.045	NFNC-UR-22-716HG	NFNC-UL-22-716HG	NFNC-UR-18-716HG	NFNC-UL-18-716HG
Triple	0°	+9°	.045	NFNC-UR-22-740	NFNC-UL-22-740	NFNC-UR-18-740	NFNC-UL-18-740
Triple ROTH*	-10°	+9°	.045	NFNC-UR-22-741	NFNC-UL-22-741	NFNC-UR-18-741	NFNC-UL-18-741
Triple - MBT*	-14°	+9°	.045	NFNC-UR-22-742	NFNC-UL-22-742	NFNC-UR-18-742	NFNC-UL-18-742
Triple	-14°	+14°	.045	NFNC-UR-22-745	NFNC-UL-22-745	NFNC-UR-18-745	NFNC-UL-18-745

## NICKEL FREE NON-CONVERTIBLE LOWER BUCCAL TUBES .022 & .018

Tooth	Torque	Offset	HDG	Right .022	Left .022	Right .018	Left .018
Single ROTH*	-25°	+5°	No	NFNC-LR-22-725	NFNC-LL-22-725	NFNC-LR-18-725	NFNC-LL-18-725
Single MBT*	-20°	0°	No	NFNC-LR-22-720	NFNC-LL-22-720	NFNC-LR-18-720	NFNC-LL-18-720
Single	0°	+5°	No	NFNC-LR-22-705	NFNC-LL-22-705	NFNC-LR-18-705	NFNC-LL-18-705
Double - HDG	0°	0°	.045	NFNC-LR-22-704	NFNC-LL-22-704	NFNC-LR-18-704	NFNC-LL-18-704
Double ROTH* MBT*	-20°	+4°	No	NFNC-LR-22-721	NFNC-LL-22-721	NFNC-LR-18-721	NFNC-LL-18-721
Double	-25°	0°	No	NFNC-LR-22-724	NFNC-LL-22-724	NFNC-LR-18-724	NFNC-LL-18-724
Lip Bumper	0°	+4°	No	NFNC-LR-22-730	NFNC-LL-22-730	NFNC-LR-18-730	NFNC-LL-18-730
Lip Bumper	-12°	+4°	No	NFNC-LR-22-731	NFNC-LL-22-731	NFNC-LR-18-731	NFNC-LL-18-731
Lip Bumper ROTH*	-25°	+4°	No	NFNC-LR-22-732	NFNC-LL-22-732	NFNC-LR-18-732	NFNC-LL-18-732

## NICKEL FREE NON-CONVERTIBLE UNIVERSAL BUCCAL TUBES .022 & .018

Tooth	Torque	Offset	In/out	Right/Left	.022	.018
Single EDGEWISE*	0°	0°	.028	Upper Right / Lower Left	NFNC-UR-LL-22-700	NFNC-UR-LL-18-700
Single EDGEWISE*	0°	0°	.028	Upper Left / Lower Right	NFNC-UL-LR-22-700	NFNC-UL-LR-18-700
Single	-10°	0°	.028	Upper Right / Lower Left	NFNC-UR-LL-22-710	NFNC-UR-LL-18-710
Single	-10°	0°	.028	Upper Left / Lower Right	NFNC-UL-LR-22-710	NFNC-UL-LR-18-710
Double EDGEWISE*	0°	0°	No	Upper Right / Lower Left	NFNC-UR-LL-22-701	NFNC-UR-LL-18-701
Double EDGEWISE*	0°	0°	No	Upper Left / Lower Right	NFNC-UL-LR-22-701	NFNC-UL-LR-18-701

## NICKEL FREE NON-CONVERTIBLE MINI UPPER BUCCAL TUBES .022 & .018 2nd Molar

Tooth	Torque	Offset	In/out	Right/Left	.022	.018
Single Hook	0°	0°	No	Upper Right / Lower Left	NFNC-M-UR-LL-22-705	NFNC-M-UR-LL-18-705
Single Hook	0°	0°	No	Lower Right / Upper Left	NFNC-M-UL-LR-22-705	NFNC-M-UL-LR-18-705
Single	0°	0°	No	Upper Right / Lower Left	NFNC-M-UR-LL-22-753	NFNC-M-UR-LL-18-753
Single	0°	0°	No	Lower Right / Upper Left	NFNC-M-UL-LR-22-753	NFNC-M-UL-LR-18-753
Single Hook ROTH - MBT*	-10°	0°	No	Right	NFNC-M-UR-22-705	NFNC-M-UR-18-705
Single Hook ROTH - MBT*	-10°	0°	No	Left	NFNC-M-UL-22-705	NFNC-M-UL-18-705
Single ROTH - MBT	-10°	0°	No	Right	NFNC-M-UR-22-754	NFNC-M-UR-18-754
Single ROTH - MBT	-10°	0°	No	Left	NFNC-M-UL-22-754	NFNC-M-UL-18-754

## NICKEL FREE NON-CONVERTIBLE MINI LOWER BUCCAL TUBES .022 & .018 2nd Molar

Tooth	Torque	Offset	In/out	Right .022	Left .022	Right .018	Left .018
Single	-12°	0°	.023	NFNC-M-LR-22-705	NFNC-M-LL-22-705	NFNC-M-LR-18-705	NFNC-M-LL-18-705
Single Hook	-12°	0°	.023	NFNC-M-LR-22H	NFNC-M-LL-22-705H	NFNC-M-LR-18H	NFNC-M-LL-18-705H
Single ROTH* MBT*	-25°	0°	.023	NFNC-M-LR-22-756	NFNC-M-LL-22-756	NFNC-M-LR-18-756	NFNC-M-LL-18-756
Single ROTH* MBT* Hook	-25°	0°	.023	NFNC-M-LR-22H	NFNC-M-LL-22-756H	NFNC-M-LR-18H	NFNC-M-LL-18-756H

\*The adenta version of this technique does not indicate endorsement by the doctor. They do not claim to be a duplication of any other

## NICKEL FREE convertible prescriptions and order info



### NICKEL FREE CONVERTIBLE UPPER BUCCAL TUBES .022 & .018

Tooth	Torque	Offset	HDG	Right .022	Left .022	Right .018	Left .018
Single w/Hook ROTH* - MBT*	-14°	+9°	No	NFC-UR-22-801	NFC-UL-22-801	NFC-UR-18-801	NFC-UL-18-801
Single	-14°	+14°	No	NFC-UR-22-803	NFC-UL-22-803	NFC-UR-18-803	NFC-UL-18-803
Double w/Hook ROTH* MBT*	-14°	+8°	No	NFC-UR-22-822	NFC-UL-22-822	NFC-UR-18-822	NFC-UL-18-822
Occlusal Facebow Tube ROTH* MBT*	-14°	+8°	.045	NFC-UR-22-851	NFC-UL-22-851	NFC-UR-18-851	NFC-UL-18-851
Occlusal Facebow Tube ROTH* MBT*	-14°	+8°	.050	NFC-UR-22-852	NFC-UL-22-852	NFC-UR-18-852	NFC-UL-18-852

### NICKEL FREE CONVERTIBLE LOWER BUCCAL TUBES .022 & .018

Tooth	Torque	Offset	HDG	Right .022	Left .022	Right .018	Left .018
Single w/Hook ROTH* - MBT*	-25°	+25°	No	NFC-LR-22-802	NFC-LL-22-802	NFC-LR-18-802	NFC-LL-18-802
Double - w/Hook ROTH* - MBT*	-25°	+5°	No	NFC-LR-22-821	NFC-LL-22-821	NFC-LR-18-821	NFC-LL-18-821

\*The adenta version of this technique does not indicate endorsement by the doctor. They do not claim to be a duplication of any other